

ADVANTAGE

ONE SOURCE

Centurion

ORNAMENTAL STEEL
FENCE SYSTEM™

SPS **STEPHENS**
PIPE & STEEL

Centurion

GRAND RAPIDS, MICHIGAN 800-850-3433

MELBOURNE, FLORIDA 800-290-7473

GREENSBORO, NORTH CAROLINA 800-582-1533

HAYDEN, ALABAMA 800-521-3810

MOUNT STERLING, OHIO 800-742-3467

PORT ALLEN, LOUISIANA 866-219-4336

BLADENSBURG, MARYLAND 866-792-5295

MANCHESTER, CONNECTICUT 877-777-8721

ONA, WEST VIRGINIA 888-736-7321

DALLAS, TEXAS 877-348-2404



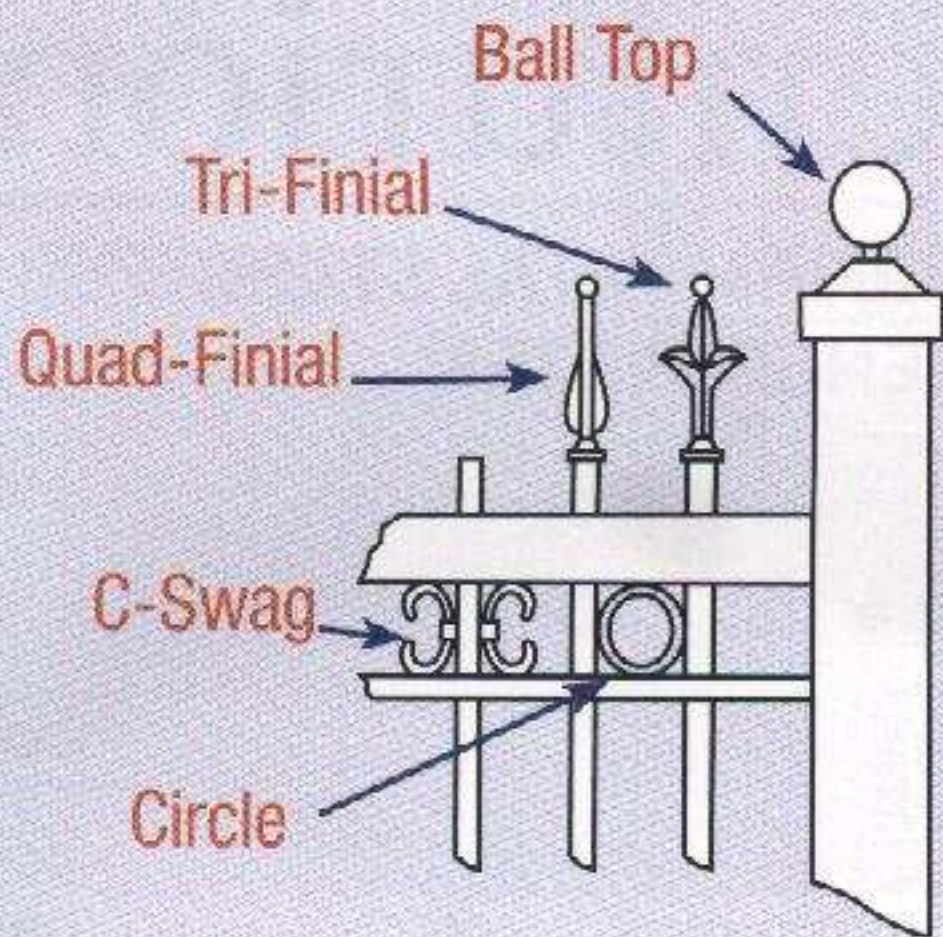
YOUR SUPPLIER FOR:

Largest Pipe and Tube Inventory in the U.S.
OnGuard™ Security Chain Link Fence Systems
Chain Link Fabric, Framework, Gates and Accessories
Aluminum Square Frame Cantilevers and Gates
Access Control and Gate Operators
High Security Radius Bend Posts and Mini Mesh
Available in Galvanized | PVC Coated | DuraLast™ Polyester
Centurion Ornamental Fence and Gates
Aluminum Ornamental Fence and Gates
Generations™ PVC Rail and Privacy Fence
Bekaert D.O.T. and Agricultural Fence Distributor
Filtrona PDS® Privacy Slats
WeatherShield™ Windscreen
Kennels Modular | Boxed Kennels | Accessories
SiteGuard™ Temporary Fence Products
Extended Lengths in 2-1/2", 3" and 4" up to 40'
Wood Fence Products

National Headquarters RUSSELL SPRINGS, KENTUCKY 270-866-3331 or 800-451-2612

LASTING BEAUTY THAT ENHANCES

Options for Custom Configuration



Centurion I pickets are stamped spear, flat-top or flush-to-rail. Flat post caps are also standard. To enhance the appearance of any Centurion installation, add your choice of these or other decorative options.



Nothing defines a space with such grace and proportion as Centurion Ornamental Steel Fencing from Stephens Pipe & Steel. Centurion, available in more than 15 different styles, meets a variety of fencing needs from architectural and landscaping enhancement to security and safety. Unlike other steel fencing products, Centurion is built to last and backed with a 12-year warranty against cracking, chipping, peeling or blistering. Centurion Ornamental Fencing is fabricated in three distinct combinations of gauge and strength to meet the needs of residential, commercial and institutional installations.

Three Levels of Protection

Centurion is offered in three distinct gauges and weights to meet nearly any fencing requirement.

Centurion I - This outstanding value is the answer to homeowners, business owners and developers seeking security and good looks. Recommended for apartment developments, swimming pool enclosures, gardens, commercial projects and residences where industrial strength fencing is neither appropriate nor budgeted. Centurion I provides an ideal solution to security and aesthetic concerns. Centurion I lends the distinctive and graceful appearance of traditional ornamental iron fencing with the added benefit of long maintenance-free service. Ornamental posts, rails and pickets are constructed from welded high-strength tubular galvanized steel. After fabrication, these components are overcoated with proven, thermally-bonded DuraLast. Black is the standard although other colors are available on request.

Centurion II - Centurion II offers the next level in product thickness and weight, making it ideal for light industrial or commercial applications.

Centurion III - The heaviest gauge steel is offered in this superior configuration, suiting it to heavy industrial and high security applications where aesthetics are important.

CENTURION II AND III RAIL STRENGTH DATA

	CENTURION II	CENTURION III
RAIL SIZE	1 1/2" X 14 GA	2" X 14 GA
SECTION MODULUS	0.168	0.292
RAIL WEIGHT (PSI)	1.75	2.11
YIELD STRENGTH (PSI)	50,000	50,000
VERTICAL LOAD 6' SPAN (LBS.)	434	584
VERTICAL LOAD 8' SPAN (LBS.)	326	438
HORIZONTAL LOAD 6' SPAN (LBS.)	509	682
HORIZONTAL LOAD 8' SPAN (LBS.)	382	512

CENTURION II AND III STANDARD SIZES

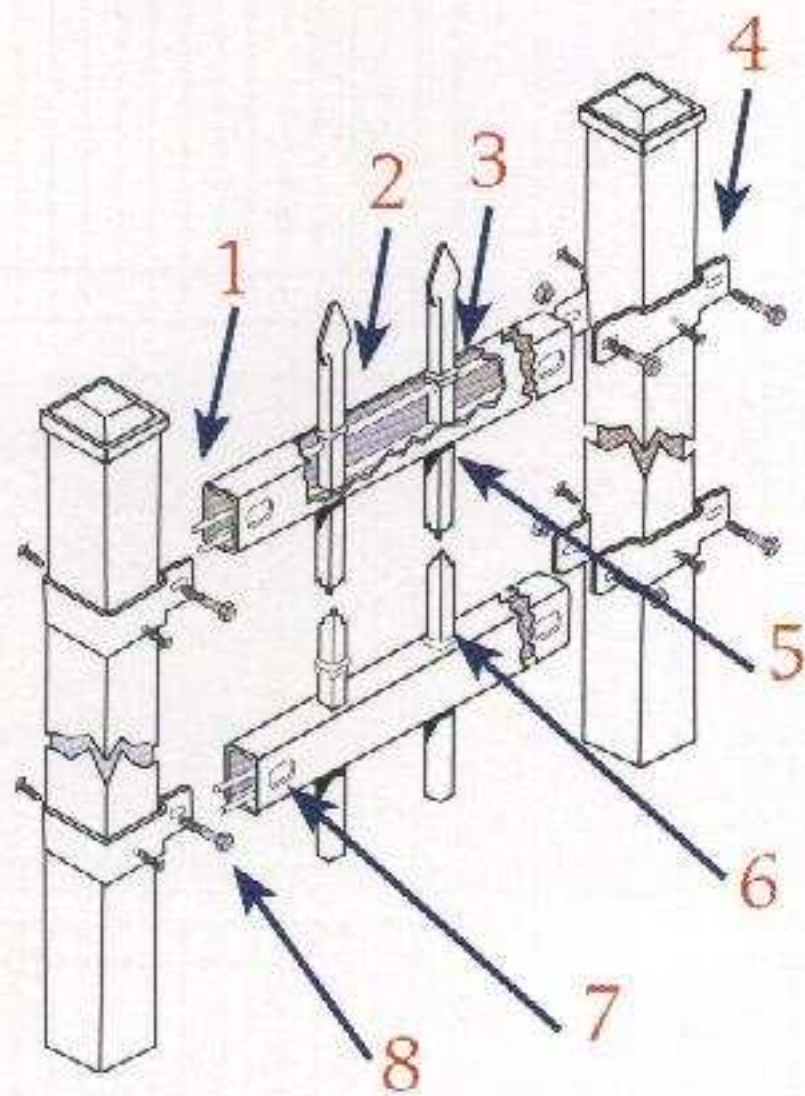
	CENTURION II	CENTURION III
PICKETS	3/4" X 16 GA	1" X 16 GA
RAILS	1 1/2" X 14 GA	2" X 14 GA
POSTS*	2 1/2" X 12 GA	2 1/2" X 12 GA
PANEL WIDTH (NOMINAL)	6' 8'	6' 8'
POST SPACING	76 3/4" 95 1/2"	71 1/2" 96"

*AVAILABLE IN 3" X 12 GA, 4" X 11 GA, AND 6" X 3/16" WALL THICKNESS
POST SPACING BASED ON 2 1/2" POSTS



ACES ANY ARCHITECTURAL STYLE

Centurion I and II Boulevard Bracket Assembly System



1. 1/8" Locking Rod Through All Pickets
2. Prepunched Hole for Locking Rod
3. Flexible Grommet
4. Line Bracket (w/fastener)
5. Slotted Hole Bottom of Rail
6. Square Hole Top of Rail
7. Through Hole for Mounting to Post
8. End Bracket (w/fastener)

Centurion II & III Industrial Bracket

9. Rails - High-strength welded steel tubular construction is structurally superior to other designs. Coated with thermally-bonded DuraLast.

10. Pickets - Galvanized welded steel tubing is coated with thermally-bonded DuraLast for long maintenance-free service. Available in stamped spear, flat-top and flush-to-rail.

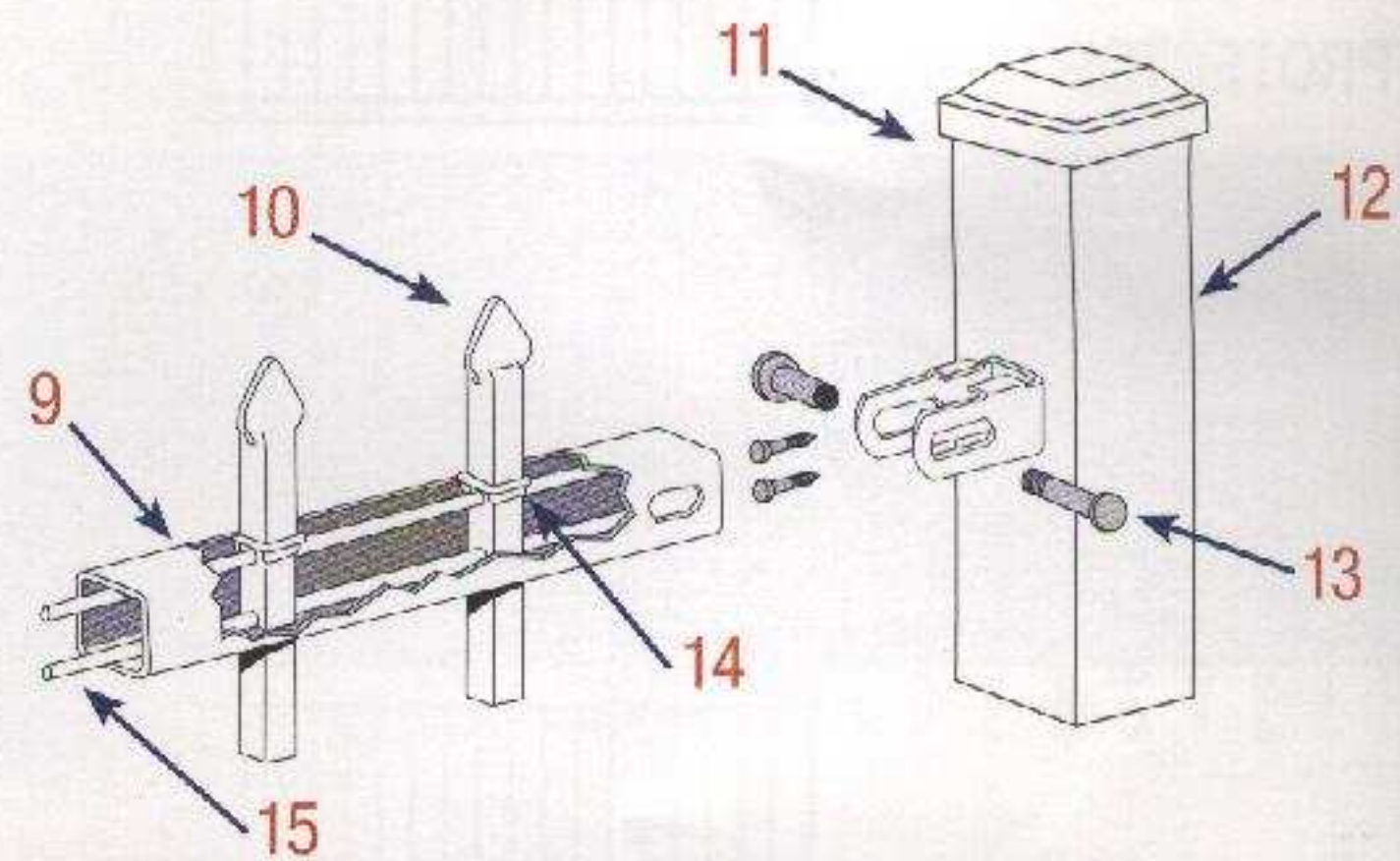
11. Post Cap - Zinc alloy cap seals out moisture and enhances fence appearance.

12. Posts - High-strength steel tubular posts are galvanized and overcoated with thermally-bonded DuraLast.

13. Tamper Resistant Fasteners - Require special tools for removal.

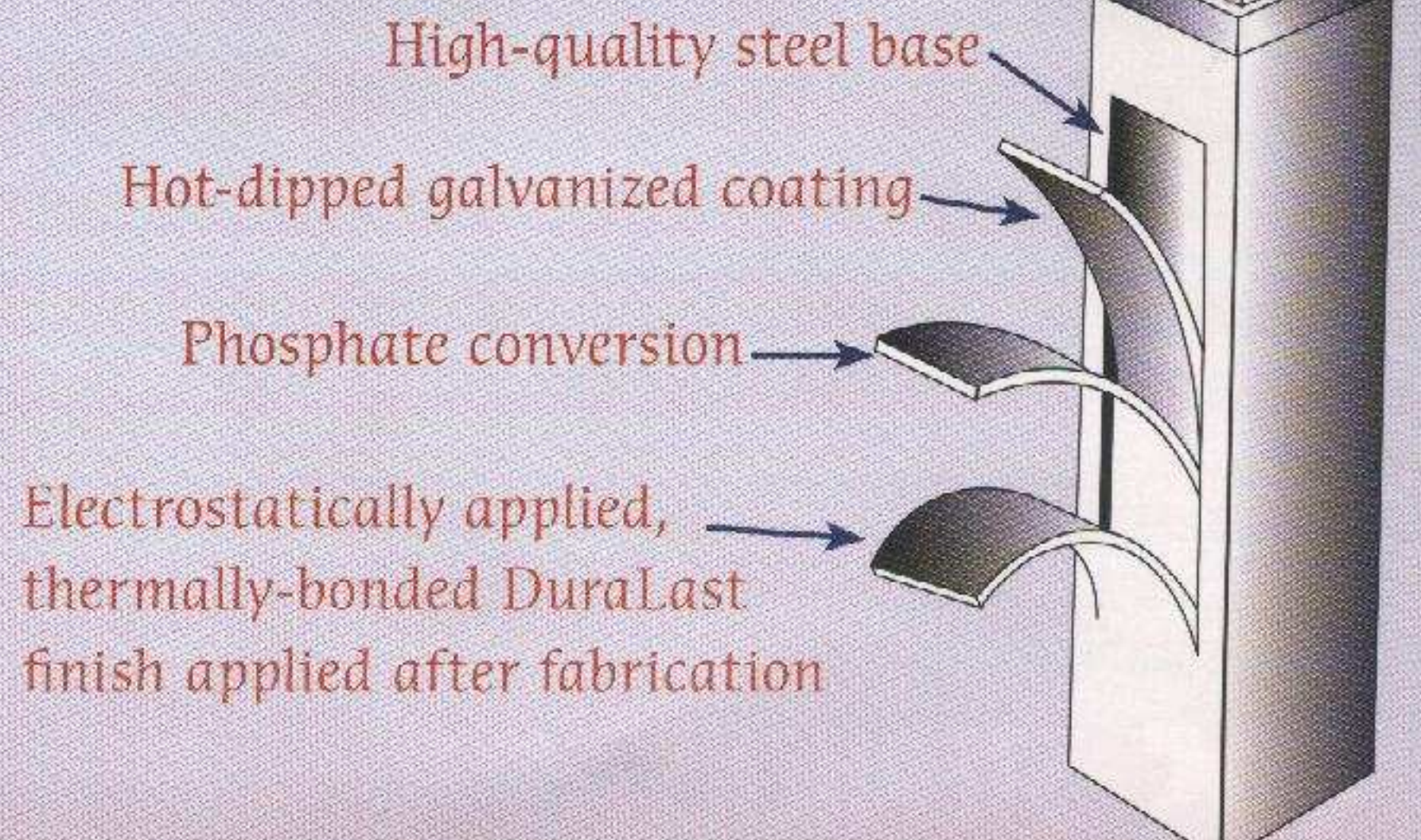
14. Grommets - Poly-vinyl grommets are installed to hold pickets firmly in place and seal out moisture.

15. Dual Locking Rods - Zinc-plated steel locking rods slide into rails firmly, locking pickets in position. Eliminates unsightly screws and rivets. Assures that top and bottom rails share the load equally.



Thermally-Bonded DuraLast™ Finish Ensures Against Corrosion

Each Centurion component is formed from high-quality carbon steel, which is subjected to hot-dipped galvanized coating for corrosion resistance. A layer of phosphate prepares the galvanized steel for the DuraLast finish, applied electrostatically and thermally bonded after fabrication, ensuring that all welds and joints are fully protected. The result is a fence that requires no maintenance and carries a 12-year warranty.



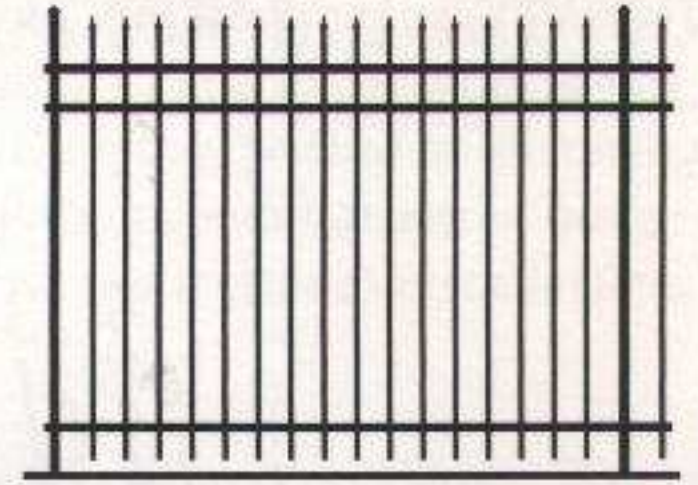
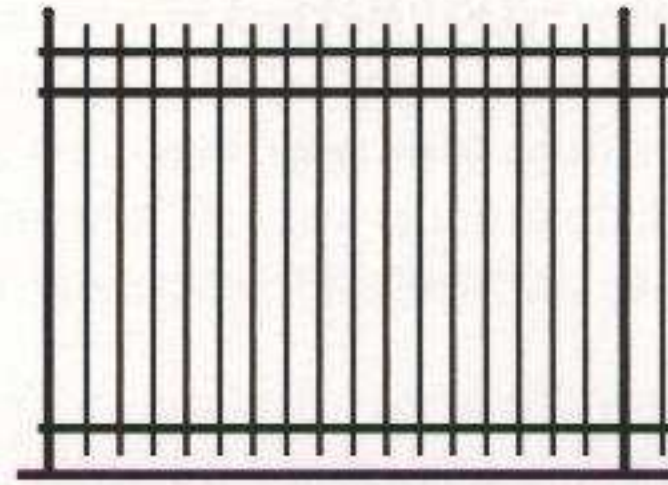
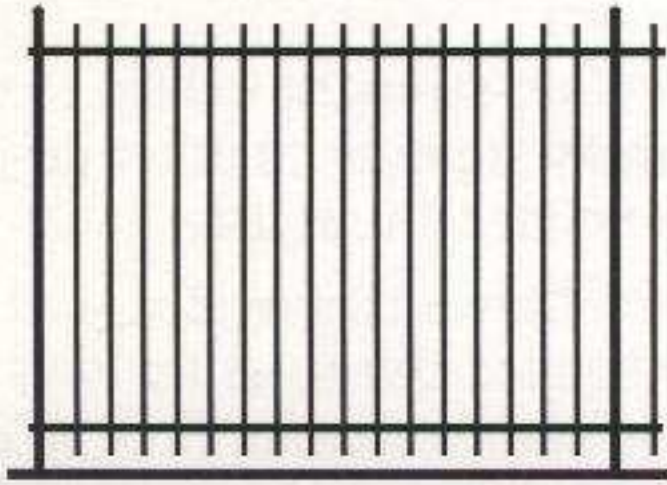
SELECT FROM THESE POPULAR CENTURION STYLES

2-RAIL SERIES

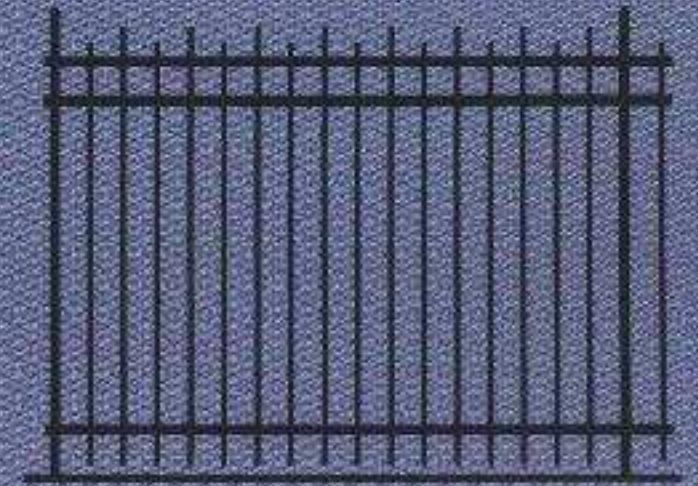
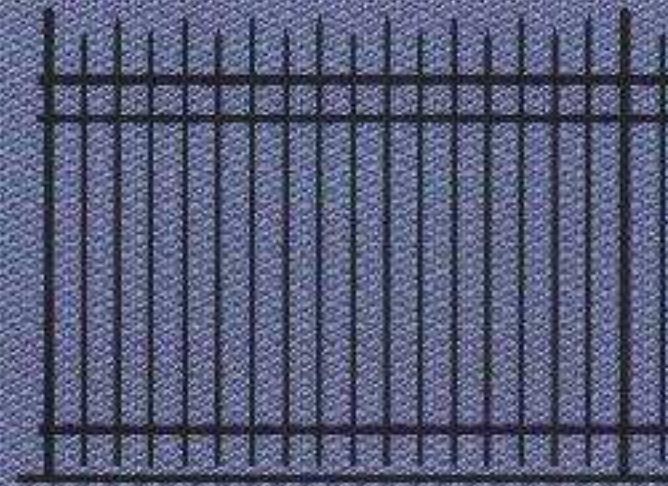
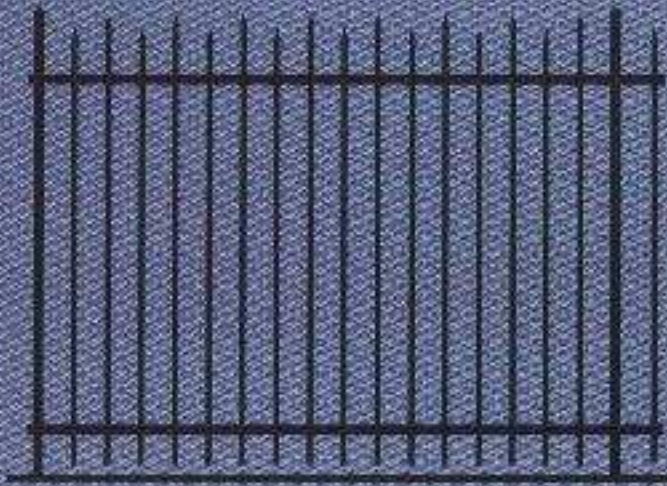
3-RAIL SERIES

SPECIALTY SERIES

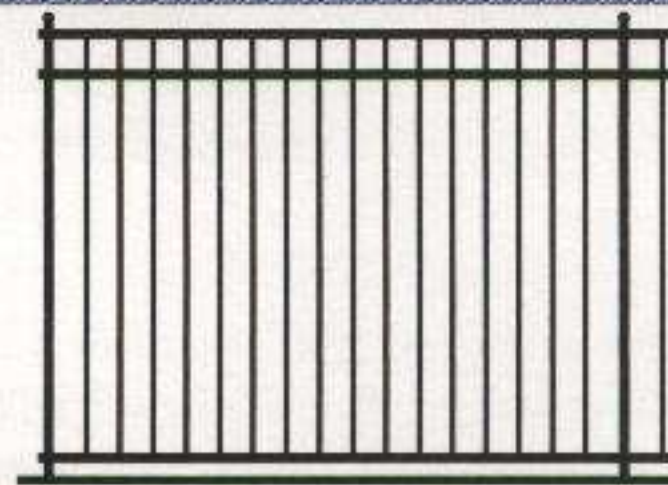
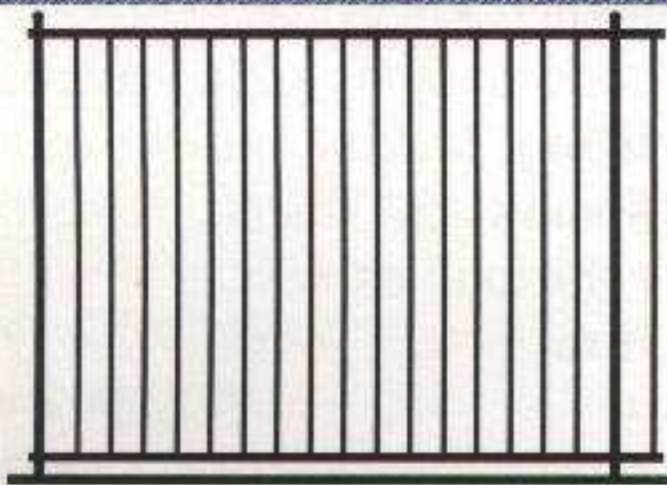
DEFENDER



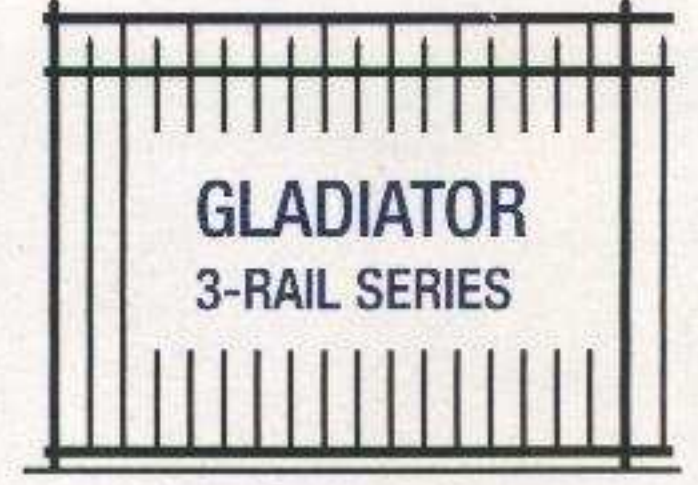
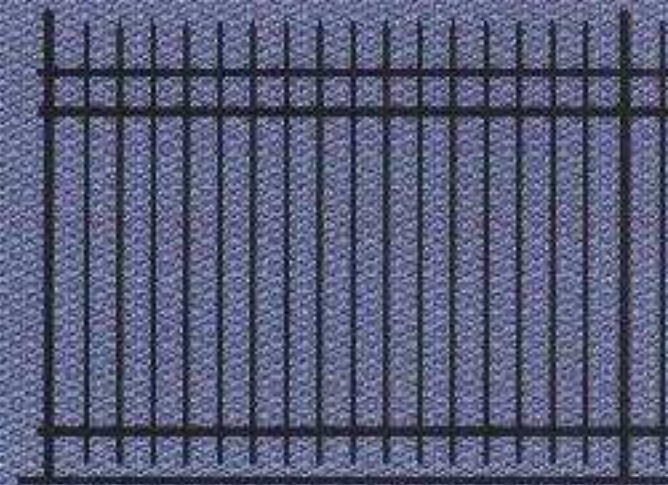
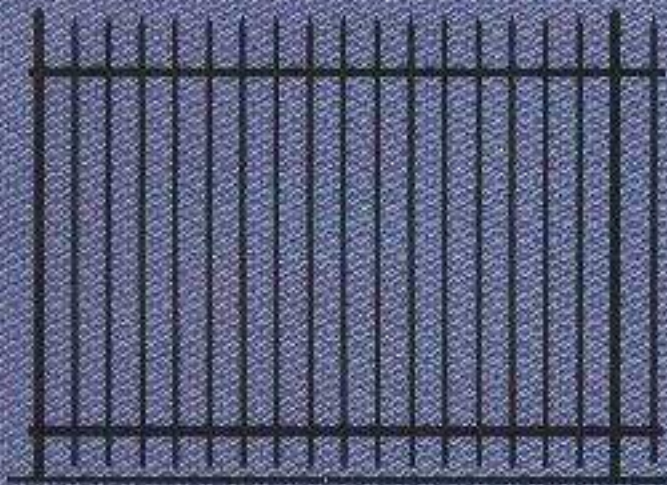
FORTRESS



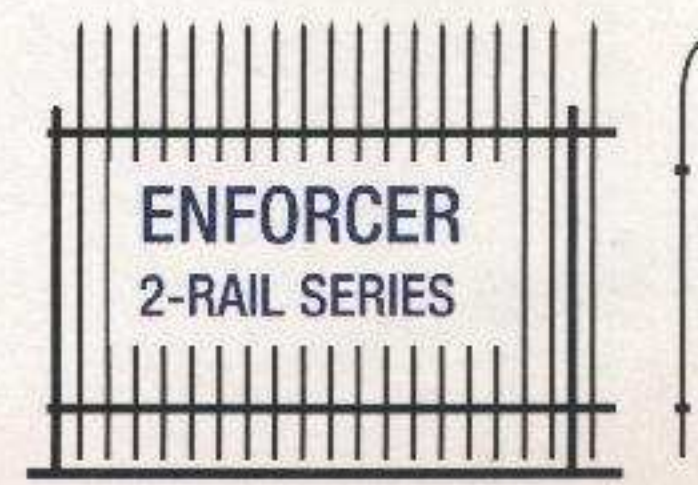
PROTECTOR



SPARTAN



TITAN



COMPONENT INFORMATION

STYLE	CENTURION I	CENTURION II	CENTURION III
PICKETS	3/4" X 3/4" X 18 GA	3/4" X 3/4" X 16 GA	1" X 1" X 16 GA
RAILS	1 1/2" X 1 1/2" X 16 GA	1 1/2" X 1 1/2" X 14 GA	2" X 2" X 14 GA
STANDARD POSTS	2" X 2" X 16 GA	2 1/2" X 2 1/2" X 12 GA	2 1/2" X 2 1/2" X 12 GA
SPACING	3 15/16" BETWEEN PICKETS	3 15/16" BETWEEN PICKETS	4" BETWEEN PICKETS
AVAILABLE HEIGHTS	3', 3.5', 4', 5', 6'	4', 5', 6', 7', 8'	4', 5', 6', 7', 8', 9', 10'
STANDARD SECTION LENGTH	8' (95" O.C.) 6'	8' (95 1/2" O.C.) 6'	8' (96" O.C.) 6'

POST ALSO AVAILABLE IN 3" X 12 GA, 4" X 11 GA AND 6" X 3/16" WALL THICKNESS



P.O. Box 618 • Russell Springs, KY 42642

800-451-2612 www.spsfence.com